

Edexcel GCSE

Mathematics (Linear) – 1MA0

NETS, PLANS & ELEVATIONS

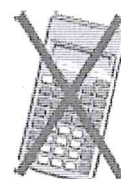
Materials required for examination

Ruler graduated in centimetres and millimetres, protractor, compasses, pen, HB pencil, eraser.
Tracing paper may be used.

Items included with question papers

Nil

ANSWERS



Instructions

Use black ink or ball-point pen.

Fill in the boxes at the top of this page with your name, centre number and candidate number.

Answer all questions.

Answer the questions in the spaces provided – there may be more space than you need.

Calculators may be used.

Information

The marks for each question are shown in brackets – use this as a guide as to how much time to spend on **each** question.

Questions labelled with an **asterisk** (*) are ones where the quality of your written communication will be assessed – you should take particular care on these questions with your spelling, punctuation and grammar, as well as the clarity of expression.

Advice

Read each question carefully before you start to answer it.

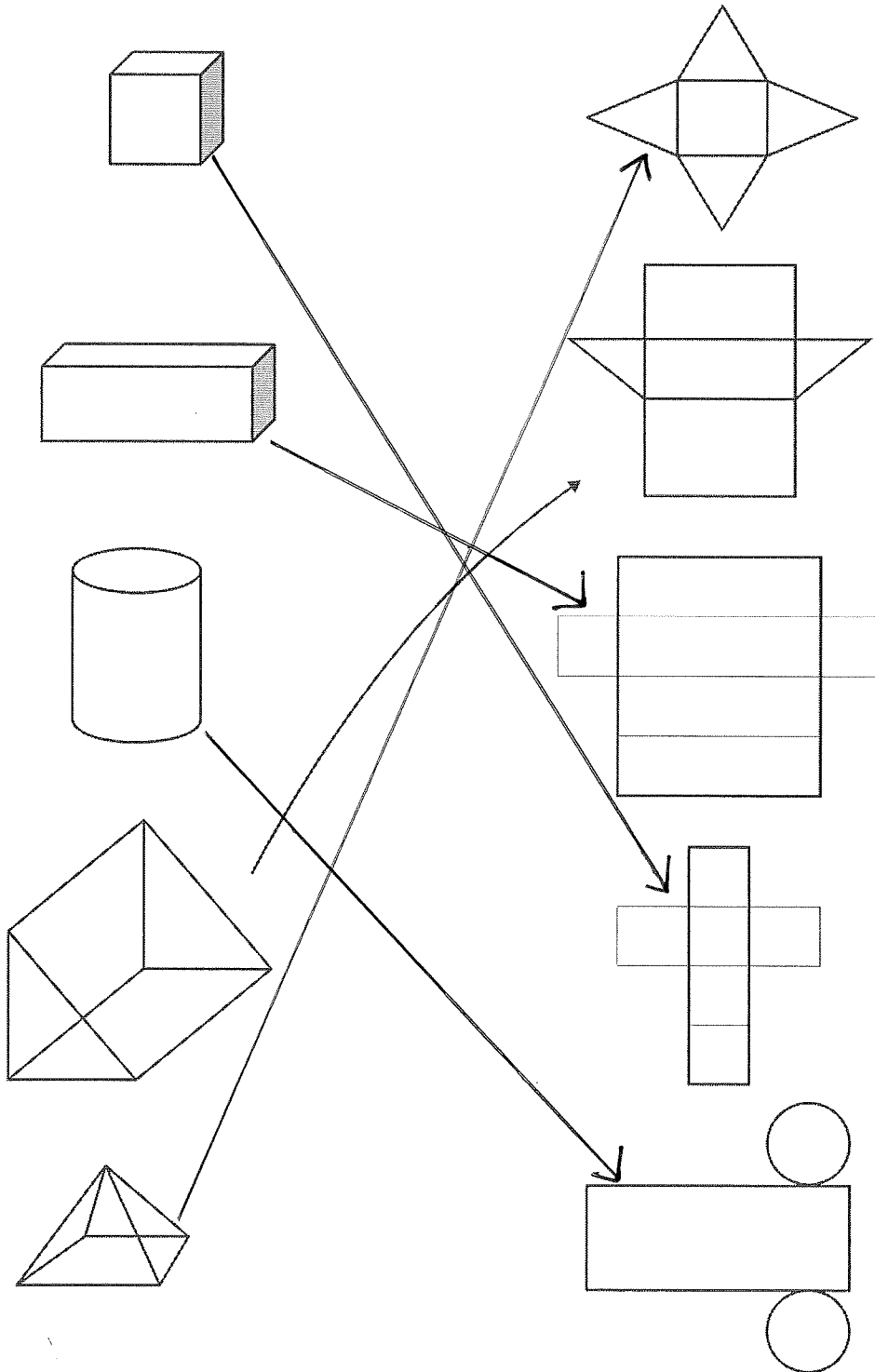
Keep an eye on the time.

Try to answer every question.

Check your answers if you have time at the end.

1. The diagrams show some solid shapes and their nets.
An arrow has been drawn from one solid shape to its net.

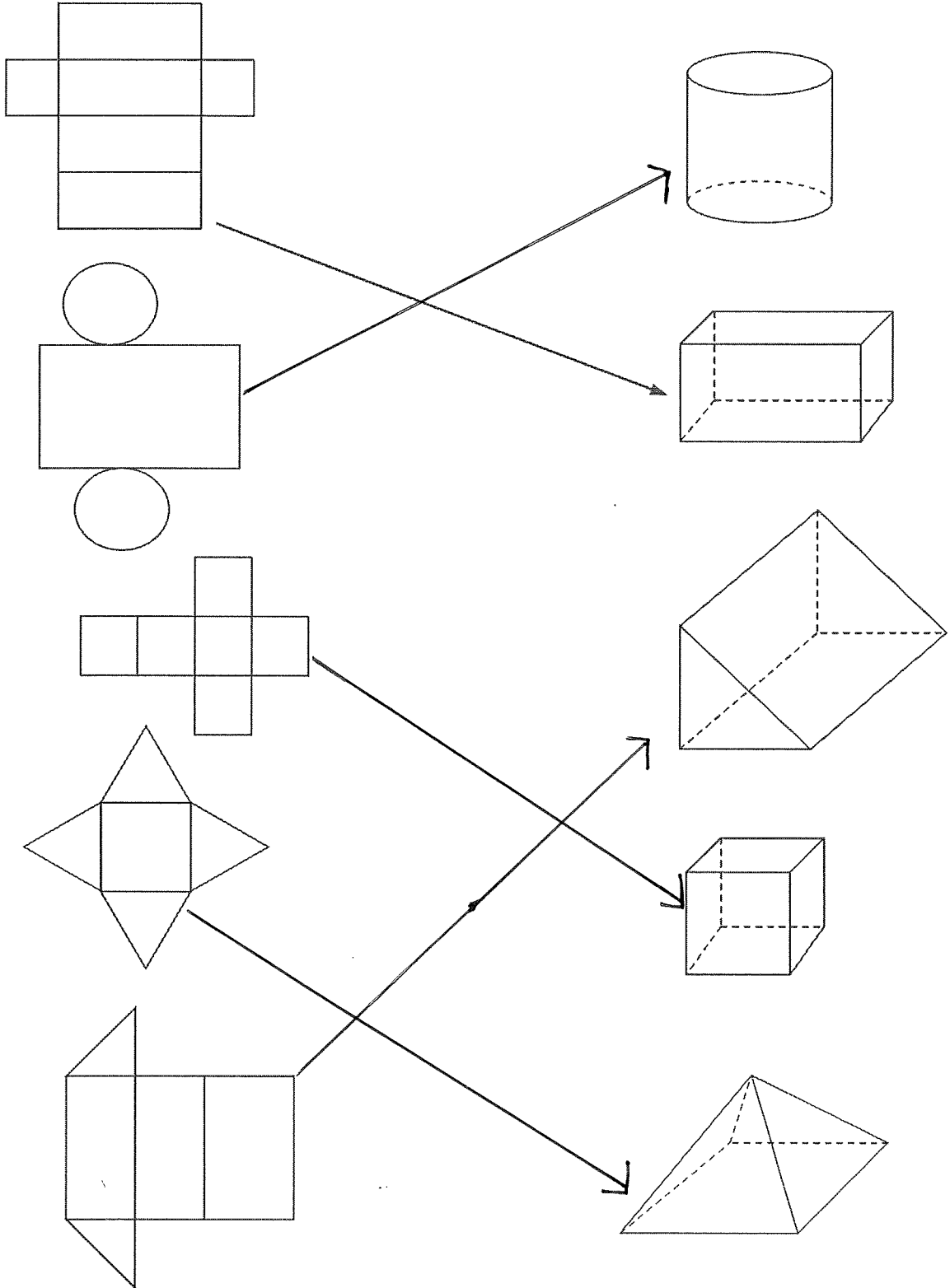
Draw an arrow from each of the other solid shapes to its net.



(3 marks)

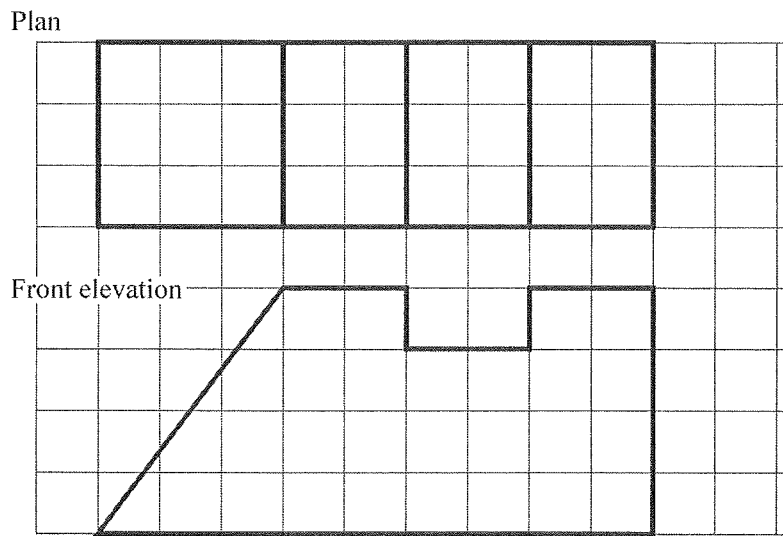
2. The diagram shows some nets and some solid shapes.
An arrow has been drawn from one net to its solid shape.

Draw an arrow from each of the other nets to its solid shape.

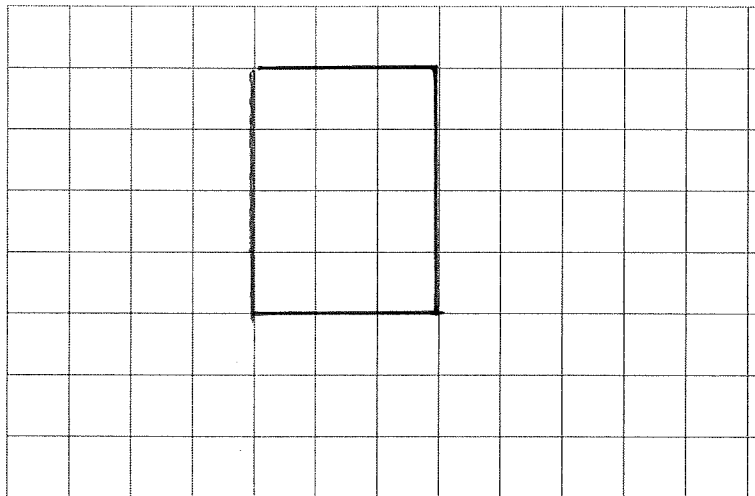


(3 marks)

3. Here are the plan and front elevation of a prism.
The front elevation shows the cross section of the prism.



On the grid below, draw a side elevation of the prism.



(3)
(Total 3 marks)

4. The diagram shows a sketch of a solid object.
The solid object is made from five centimetre cubes.

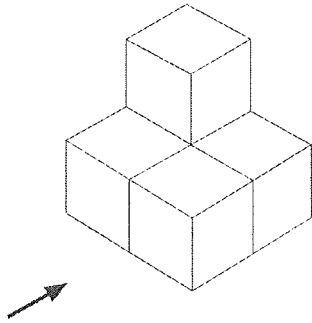
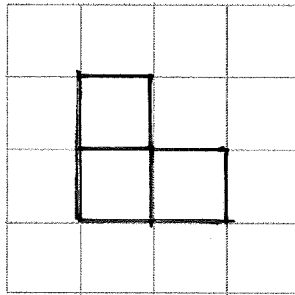


Diagram **NOT** accurately drawn

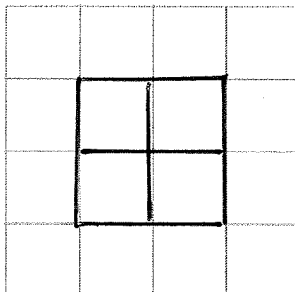
- (a) On the grid of centimetre squares, draw the elevation of the solid object in the direction marked with an arrow.



Elevation

(2)

- (b) On the grid of centimetre squares, draw the plan of the solid object.

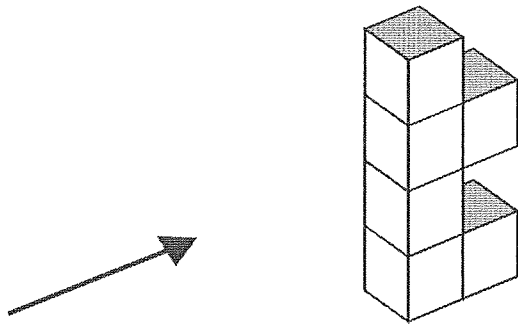


Plan

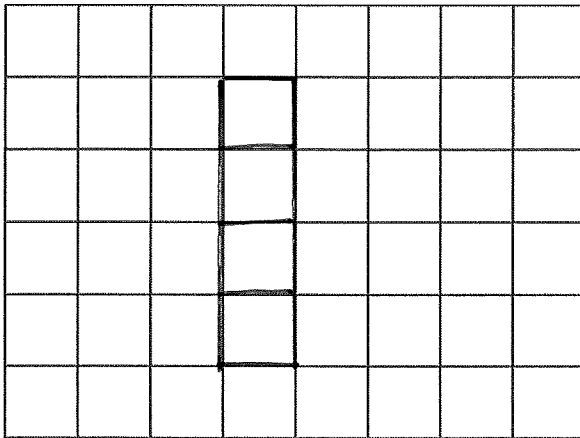
(2)

(Total 4 marks)

5. The diagram shows a solid object made of 6 identical cubes.

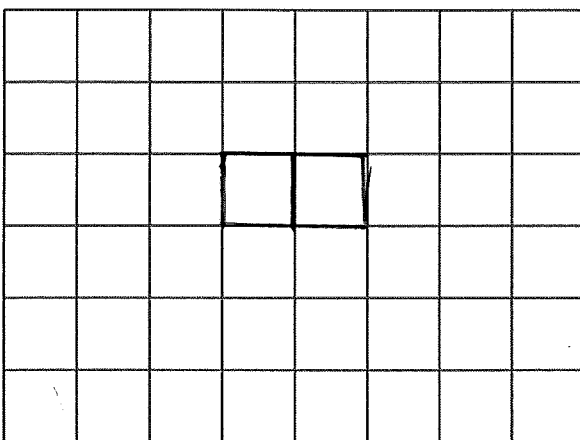


- (a) On the grid below, draw the side elevation of the solid object from the direction of the arrow.



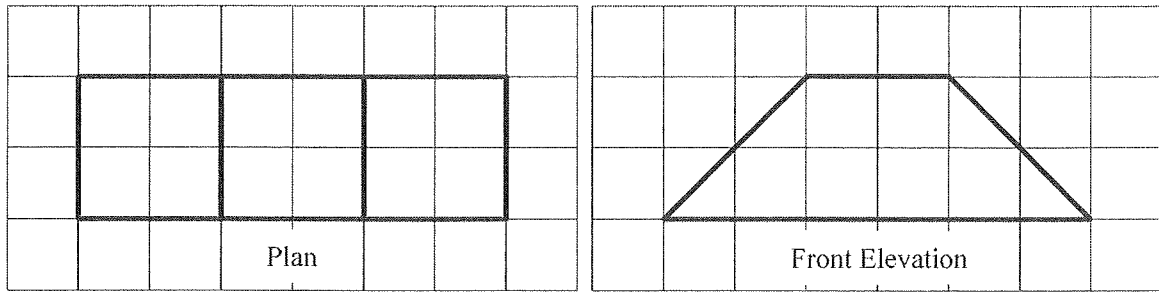
(2)

- (b) On the grid below, draw the plan of the solid object.

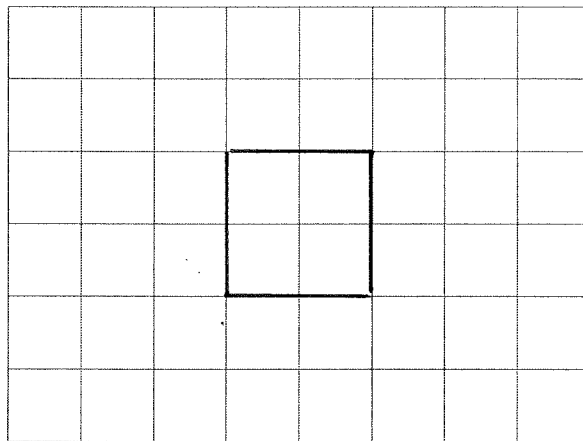


(2)
(Total 4 marks)

6. Here are the plan and front elevation of a solid shape.

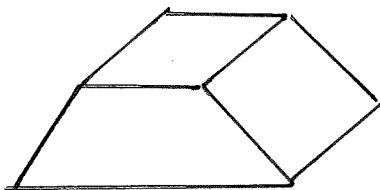


(a) On the grid below, draw the side elevation of the solid shape.



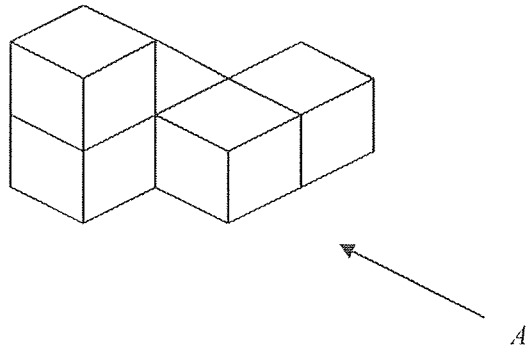
(2)

(b) In the space below, draw a sketch of the solid shape.

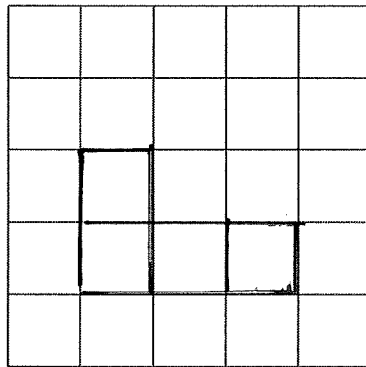


(2)
(Total 4 marks)

7. The diagram represents a solid made from 5 identical cubes.



On the grid below, draw the view of the solid from direction *A*.



(Total 2 marks)